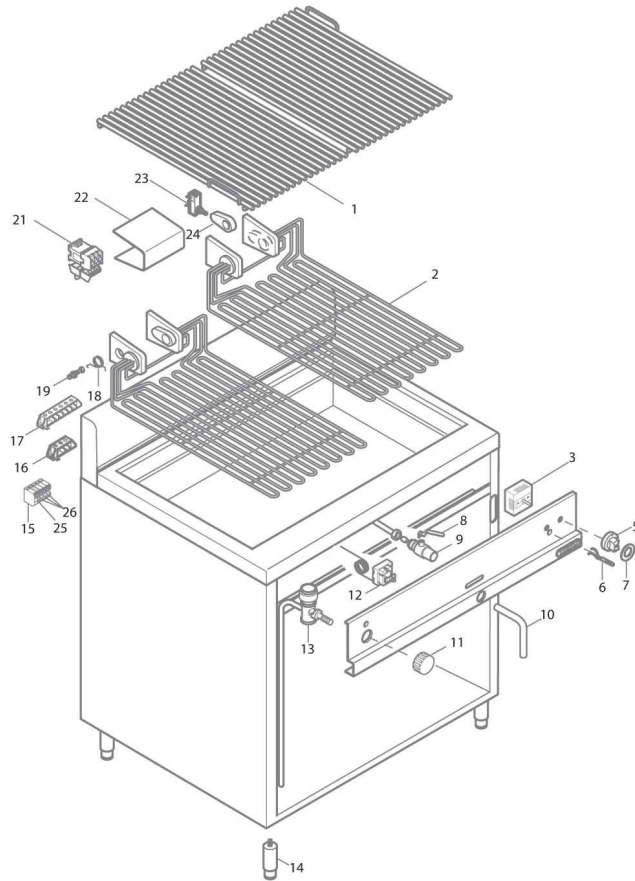




E6PL60M





E6PL60M

Pos. Item	Codice Code	Descrizione	Item Description	Designation articles	Artikelbeschreibung	Decripiòn articulos	N° pezzi - No. pieces					
1	36644200	Gr. pesce e6pl60b/m fe brunitos.600	Polished fishgrill e6pl60b/m s.600	Gr. poisson brunie e6pl60b/m s.600	Fischgrill brueniert e6pl60b/m s.600	Par. pescado bruñida e6pl60b/m s.600						1
2	36017200	Resistenza 3500w-230v e6pl60b/m	3500w-230v e6pl60b/m he. element	RÉsistance 3500w-230v e6pl60b/m	Widerstand 3500w-230v e6pl60b/m	Resistencia 3500w-230v e6pl60b/m						2
3	27114900	Regolatore di energia (240 v)	Programmer (240 v)	Programmateur (240 v)	Programmierer (240 v)	Programador (240 v)						1
5	35877300	Man. rossa p. 6x4,6 a 180°ral3000	Red knob p. 6x4,6 a 180°ral3000	Ma. rouge p. 6x4,6 a 180°ral3000	Drehknopf p. 6x4,6 a 180°ral3000	Mando rojo p. 6x4,6 a 180°ral3000						1
5	35876300	Manopola rossa p. 6x4,6 a 180°	Red knob 6x4,6 180° c	Manette rouge 6x4,6 180° c	Drehknopf 6x4,6 180° c	Mando rojo 6x4,6 180° c						1
6	30168800	Spia verde 230v d.10mmt150Ø	Green lamp 230v	Temoin lumineux vert 230v	Grune kontrollampe 230v	Piloto verde 230v						1
7	31953600	Serig.rossa manop. frytop/vtr	Knob serigraphy	Serigraphie de la manette	Drehknopfserigraphie	Serigrafia roja mando						1
8	32685400	Rubinetto scarico frontale completo	Frontal outlet tap	Robinet de vidange frontal	Abflusshahn	Grifo de descarga frontal						1
9	32685400	Rubinetto scarico frontale completo	Frontal outlet tap	Robinet de vidange frontal	Abflusshahn	Grifo de descarga frontal						1
10	22698100	Gornito scarico olio/acqua	Outlet elbow	Coude de vidange	Abfluss-winkelstuk	Codo de descarga						1
11	31686800	Valvola sfera man. ghiera 1/2 f-f	Water inlet valve	Soupape entree d'eau	Wasser-einlassventil	Valvula de bola						1
12	24064000	Term. 120° c per e7bm4/8-lau 10	120° c thermostat	Thermostat 120° c	Thermostat 120° c	Termostato 120° c						1
13	31686800	Valvola sfera man. ghiera 1/2 f-f	Water inlet valve	Soupape entree d'eau	Wasser-einlassventil	Valvula de bola						1
14	24684200	Piedino inox 1 1/2 h-125/175	Foot 1 1/2 h-125/175	Pied 1 1/2 h-125/175	Fuss 1 1/2 h-125/175	Pata 1 1/2 h-125/175						4
15	25186500	Morsetto g/verde 10mmq v0	Green terminal 10mmq	Borne verte 10mmq	Gruen klemme 10mmq	Borne verde 10mmq						1
17	30184200	Morsettiera a 6 poli fv 122 b (lau 10)	Terminal board 6 poles	Bornier 6 poles	Klemmenleiste	Bomera 6 polos						1
18	31878000	Molla bl. res. e6/7f10/18 e6/7/9pl	Heating elem.block clip	Ressort bloc resistance	Feder widerstand befaestigung	Muelle bloque resistencia						2
19	31779700	Bl. res.e6/7f10/18/30 ple s.6/7/900	Bl. res.e6/7f10/18/30 ple s.6/7/900	Bl. res.e6/7f10/18/30 ple s.6/7/900	Bl. res.e6/7f10/18/30 ple s.6/7/900	Bl. res.e6/7f10/18/30 ple s.6/7/900						2
19	31779100	Boccola blocco resis.e7f10-4/8	Heating element block e7f10-4/8	Bloc rÉsistance e7f10-4/8	Winderstandsblockung e7f10-4/8	Bloque resistencia e7f10-4/8						2
21	23105900	Teleruttore sn-18 (25a)	Contacteur	Microinterrupteur	Fernschalter	Telerutore						1
23	33059400	Microinterr. bipolare m10x0.75	Bipolar microswitch	Micro-interrupteur bipolaire	Zweipol-mikroschalter	Microinterruptor bipolar						2
24	31825000	Eccentr.chius.microint. e7f10	Small end bush for micr. e7f10	Excentrique pour interrupteur	Exz. schloss mikroschalt. e7f10	ExcEntrica cierre interruptor						2
25	25186300	Morsetto blu 10mmq v0	Blue terminal 10mmq	Borne blue 10mmq	Blau klemme 10mmq	Borne azul 10mmq						3
26	25186100	Morsetto grigio 10mmq	Grey terminal 10mmq	Borne gris 10mmq	Graufarbe klemme 10mmq	Borne gris 10mmq						5

E6PL60M